



HP290.

**TWO ZONE PRE-PLUMBED DHW
CYLINDERS WITH A LOW LOSS HEADER**



25 year
warranty*



Industry leading
reheat times



Designed for
UK homes



Fully pre-plumbed
and pre-wired



Control box
included



Highly efficient
multi-coil heat
exchanger



**HALO LITE RF
COMPATIBLE**

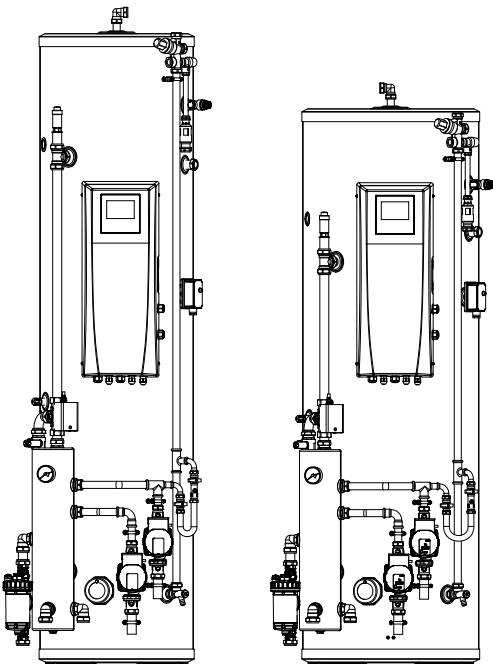
Technical Specification.

HP290 TWO ZONE PRE-PLUMBED CYLINDERS WITH LOW LOSS HEADER

		HP290 DHW CYLINDER PP 210 LL 2Z SL	HP290 DHW CYLINDER PP 210 LL 2Z	HP290 DHW CYLINDER PP 250 LL 2Z	HP290 DHW CYLINDER PP 300 LL 2Z
Ideal Product Code		240129	240124	240125	240126
Energy efficiency class		C	B	C	C
Heat loss	Watts/h	65	55	63	72
Capacity (DHW content)	Litres	188	199	237	279
Weight empty	kg	60.6	64	69.8	73.4
Weight full	kg	248.9	262.8	307	352.4
Overall width	mm	647	704	704	704
Overall height	mm	2042	1572	1822	2068
Overall depth	mm	620	686	686	686
Cylinder diameter	mm	475	550	550	550
Primary heat exchanger surface area	m ²	2.5	2.5	3.0	3.0
Secondary return connection		yes	yes	yes	Yes
Immersion heater rating	kW	3	3	3	3
Heat up time from 10°C to 50°C*	min	23.68	30.60	27.34	35.05

*Heat Up Time, HWA Heat Pump Test 002:2020 (flow rate 0.42l/s and flow temperature of 55°C).

The relative heat up times stated are based on the HWA test referenced above and carried out on all cylinders within the range. The stated test value may not reflect real life performance within a residential environment.



INCLUDES

- ✓ Control Box
- ✓ Wiring Centre
- ✓ Controller
- ✓ Low Loss Header
- ✓ Heat Pump Filter
- ✓ DHW 3-port Valve
- ✓ P&T Valve
- ✓ High Temp Cut Out
- ✓ Expansion Vessel
- ✓ Pressure Gauge
- ✓ Automatic Air Vent(s)
- ✓ Isolation Valves
- ✓ 3kW Immersion
- ✓ x2 Circulation Pumps
- ✓ Flow & Return Thermistors
- ✓ DHW Thermistor
- ✓ Outdoor Sensor