

ideal
HEATING

LOGIC COMBI

24 30 35kW



Compact cupboard fit



NOx class 6



Easy to see pressure gauge



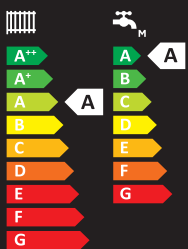
Frost protection



Halo Wi-Fi & RF control compatible



Easy to use fully back-lit LCD display



idealheating.com |

welcome to our ideology

*2 year parts and labour warranty available when registered within 30 days of installation.

Features & specification

QUALITY AND RELIABILITY AS STANDARD

- Low component count maximising reliability
- Latest generation Honeywell gas valve
- Simple diverter valve design with no dynamic seals
- Ideal System Filter compatible

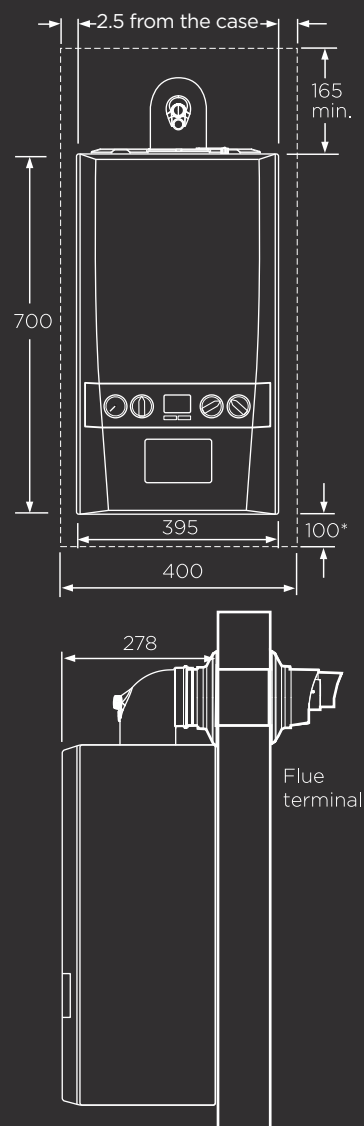
END USER BENEFITS

- Award winning range
- Service indication
- Pre-heat function
- Symbols and text display
- Visually impaired user fascia option
- Compatible with a range of additional controls inc. weather compensation and OpenTherm controls
- LPG conversion kit available for 24 & 30 kW boilers

EASY TO INSTALL AND SERVICE

- Low boiler lift weight from 28.9kg
- Compact cupboard fit
- Easy to see pressure gauge
- Universal condensate connection
- Stand-off kit and pre-pipe options
- Wide range of flueing options
- Preformed copper tails
- Pre-wired mains lead
- Built-in filling loop

Clearances & dimensions



Dimensions in mm.

Technical specification

LOGIC COMBI MODELS	C24	C30	C35
Weight (packaged) kg	33.7	33.8	33.9
Max installation weight kg	28.9	29.0	29.1
CH output (kW) min/max mean 70°C	4.8 - 24.2	6.1 - 24.2	7.1 - 24.2
CH output (kW) min/max mean 40°C	5.1 - 25.6	6.4 - 25.6	7.5 - 25.6
DHW output (kW) max	24.2	30.3	35.3
DHW flow rate l/min. 35°C rise	9.9	12.4	14.5
SEDBUK rating (2005) %	91.1	91.1	91.1
SEDBUK rating (2009/2012) %	89.6	89.6	89.6
NOx classification	CLASS 6	CLASS 6	CLASS 6
LPG conversion	Yes	Yes	No
Max horizontal flue	9m	8m	6m
Max vertical flue	7.5m	7.5m	7.5m
Powered vertical flue	22m	22m	22m
Seasonal space heating efficiency class	A	A	A
Seasonal space heating energy efficiency η_s %	94	94	94
Sound power level, indoors L _{WA} dB	48	46	44
Water heating energy efficiency class	A	A	A

T: 01482 492251 E: ideal@idealheating.com

Ideal Heating, PO Box 103, National Avenue, Kingston upon Hull, East Yorkshire, HU5 4JN.

Clearances & dimensions note: The minimum front clearance when built into a cupboard is 5mm from the cupboard door but 450mm overall clearance with the cupboard door open is required for servicing.
*Bottom clearance after installation can be reduced to 5mm. However, 100mm is required for servicing.