

# LOGIC+ SYSTEM<sup>2</sup>

15 18 24 30kW



Compact cupboard fit



Compression fitting included



Enhance boiler performance with Halo



Low lift weight



Frost protection



Large colour screen and simple user interface



Made in the UK



# Features & specification

## END USER BENEFITS

- Award winning range
- Service indication
- Compatible with a range of additional controls inc. weather compensation and our Halo range plus other OpenTherm controls
- LPG conversion kits available for most kW outputs

## EASY TO INSTALL

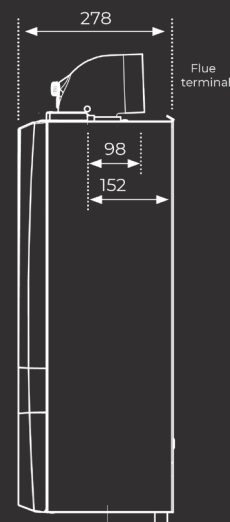
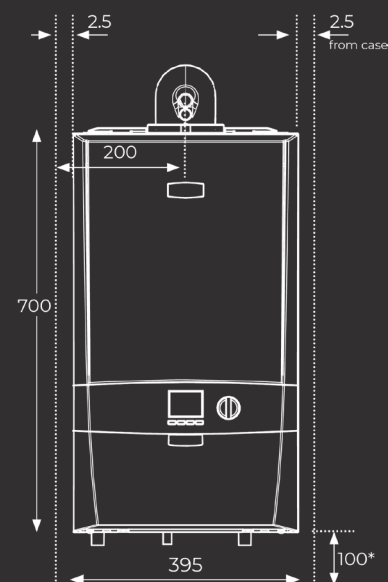
- Honeywell gas valve
- Built in frost protection
- Designed, developed and made in the UK
- 7 year warranty as standard
- Wiring centre can accommodate a variety of cable thicknesses including 5-core cable with simple screw bridge clamps for fixation
- Low boiler lift weight of 26.1kg
- Compact cupboard fit
- Stand off kit options with and without pipes
- Wide range of flueing options
- Preformed copper tails

- Pre-wired mains lead
- Safety valve outlet pipe included
- Fixed flue turret seal to prevent dislodgement during fitting
- Compression fitting included in the hard wear pack
- QR codes linked to 'how to' videos in the instruction manual

## EASY TO SERVICE AND MAINTAIN

- Easy to see pressure gauge
- Single dual purpose spark and detection electrode
- Fully serviceable from the front

## Clearances & dimensions



Dimensions in mm.

## Technical specification

LOGIC+ SYSTEM <sup>2</sup> MODELS	15	18	24	30
Weight( Packaged) kg	31.1	31.1	31.1	31.1
Max Installation weight kg	27.3	27.3	27.3	27.3
CH Output(kW) min /max mean 70°C	4.8-15.0	4.8-18.0	4.8-24.2	6.1-30.3
CH Output(kW) min /max mean 40°C	5.1-15.9	5.1-19.1	5.1-25.6	6.4-31.0
SEDBUK rating (2005)%	91.2	91.1	91.2	91.1
SEDBUK rating (2009/2012 )%	89.4	89.7	89.7	89.6
NOx Classification	Class 6	Class 6	Class 6	Class 6
LPG conversion	No	Yes	No	Yes
Max Horizontal flue	9m	9m	9m	8m
Max Vertical Flue	7.7m	7.5m	7.5m	7.5m
Seasonal space heating efficiency class	A	A	A	A
Seasonal space heating energy efficiency $\mu$ s %	93	93	94	93
Sound power level indoors LWA dB(A)	42	44	50	50



T: 01482 492251 E: [ideal@idealheating.com](mailto:ideal@idealheating.com)  
 Ideal Heating, PO Box 103, National Avenue, Kingston upon Hull, East Yorkshire, HU5 4JN.

Clearances & dimensions notes: \*\*The minimum front clearance when built into a cupboard is 5mm from the cupboard door but 450mm overall clearance with the cupboard door open is required for servicing.  
 \*Bottom clearance after installation can be reduced to 5mm. However, 100mm is required for servicing.