

# + OPENTHERM HARNESS KIT

LOGIC COMBI C  
I-MINI C

When replacing any part on this appliance, use only spare parts that you can be assured conform to the safety and performance specification that we require. Do not use reconditioned or copy parts that have not been clearly authorised by Ideal.

**For the very latest copy of literature for specification and maintenance practices visit our website [www.idealboilers.com](http://www.idealboilers.com) where you can download the relevant information in PDF format.**

July 2016  
UIN 216195 AO1



This kit is suitable for the following boilers:

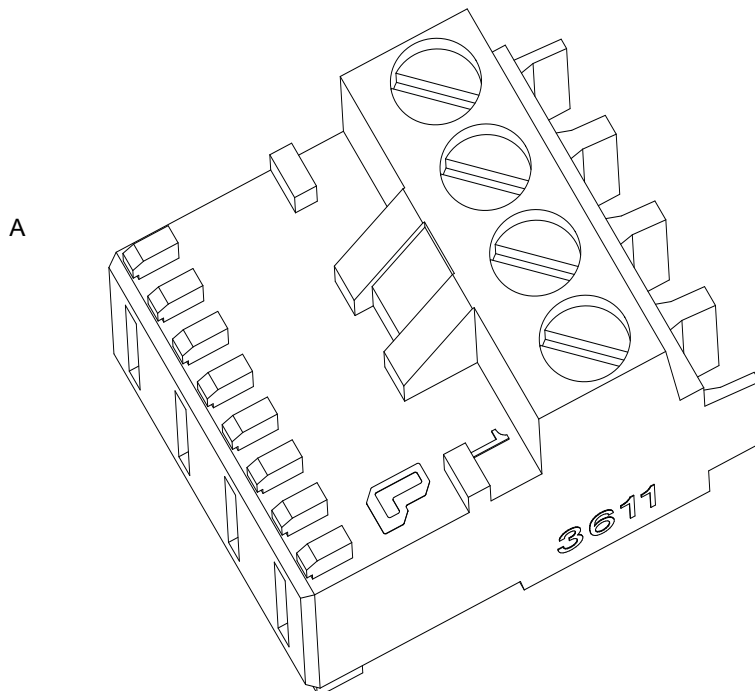
LOGIC COMBI C24.....	G.C. No. 47-349-18
LOGIC COMBI C30.....	G.C. No. 47-349-19
LOGIC COMBI C35.....	G.C. No. 47-349-20
I-MINI C24.....	G.C. No. 47-349-30
I-MINI C30.....	G.C. No. 47-349-31

## INTRODUCTION

Fixing this kit makes the boiler compatible with OpenTherm Programmable Room Temperature Controllers. OpenTherm controllers run the boiler with as low a flow temperature as possible, thereby maximising condensing operation and reducing gas consumption.

### 1 KIT CONTENTS

A. Connector

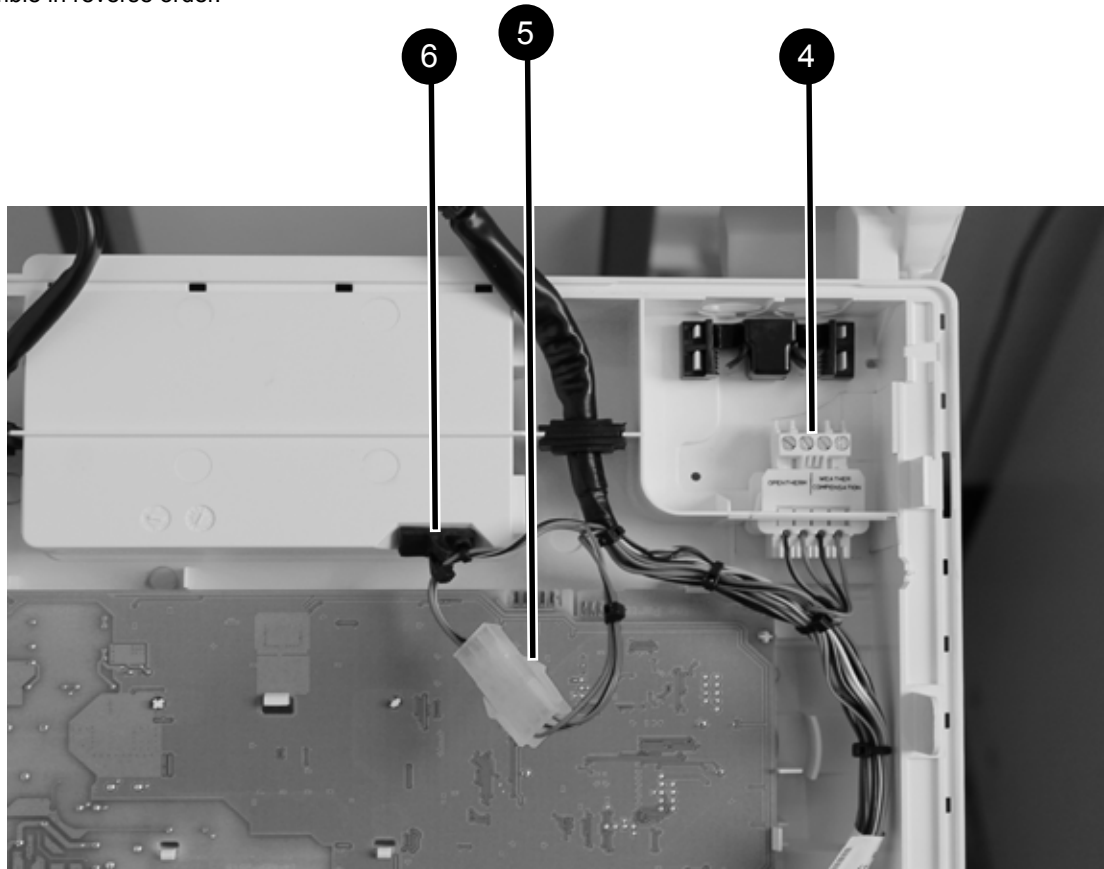


## 2 FITTING THE KIT

**Note.** A 230V Live wire must NOT be connected to the following connections.  
If 230V is connected then the boiler electronics will be destroyed.

### Wiring the OpenTherm Harness Kit to the boiler

1. Isolate the electricity supply to the boiler.
2. Remove the boiler front panel (refer to boiler installation instructions).
3. Hinge down the control box.
4. Connect the wires from the OpenTherm device to the connector supplied within the kit and insert the connector into the socket marked "OPENTHERM|WEATHER COMPENSATION".
5. Remove the connector from the controls recess on the main control box body and connect it to the connector within the harness itself.
6. Insert the rubber bung that is attached to the harness into the hole in the controls recess on the main control box body.
7. Re-assemble in reverse order.



**Ideal Boilers Ltd.**, P.O. Box 103, National Ave., Kingston upon Hull, HU5 4JN. Telephone: 01482 492 251 Fax: 01482 448 858. Registration No. London 322 137.

**Ideal Boilers Ltd.** pursues a policy of continuing improvement in the design and performance of its products. The right is therefore reserved to vary specification without notice.



***Ideal Installer/Technical Helpline Tel: 01482 445570***

***[www.idealboilers.com](http://www.idealboilers.com)***